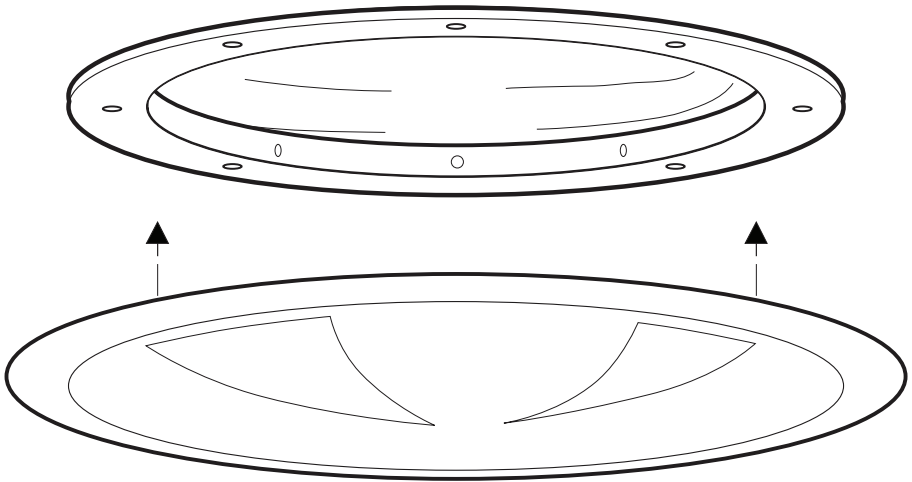


# INSTALLATION INSTRUCTIONS



For Tile, Slate & Flat Roofs



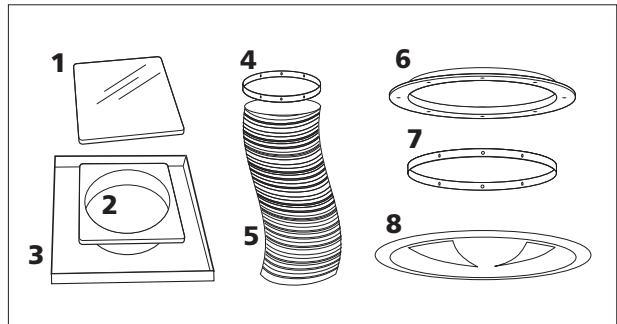
**Em- Tube** is designed to efficiently pipe natural daylight into a windowless or low light room. Please note, installing the Em-Tube to provide additional daylight in a room that has large windows or patio doors, may have little effect on overall illumination.

**Please read carefully prior to installation. Contact your supplier if in any doubt.**

## Contents of pack:

### Flexi System

- 1 Roof Dome
- 2 Breather Frame
- 3 Roof Flashing
- 4 Upper Ring
- 5 Flexi-Tube
- 6 White ceiling frame
- 7 White PVC retainer ring
- 8 Double Glaze Diffuser



## 00: Preparation and advice

Carefully remove the Em-Tube and the pipes from their respective packages and confirm that the correct model and any optional components ordered have been delivered.

In the event of any damage or short delivery please contact your supplier immediately.

Ensure that the position you are fitting the roof unit is directly above where you want light diffuser inside room, The tubing should be as straight as possible, avoid angles and bending the Tube as this will impair the light transmission.

Other factors should be considered i.e. the direction in which the Roof dome is facing. North facing roof surface is not recommended, south facing surface is optimal. If your roof is facing west or east you will have more light in the morning or in the afternoon. Avoid overshadowing of tall buildings, trees etc.

We suggest you fit the largest size unit as possible even if this means trimming out one of your rafters and ceiling joists, in the long term you will have the benefit of a brighter area inside.

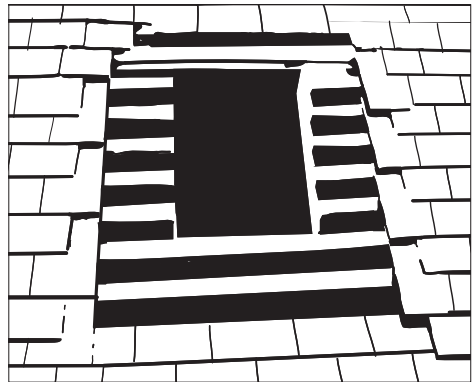
Em-Tube Size (Nominal mm)	Minimum Hole Dia(mm)
350	353
450	467
550	545

**01:**

Remove roof tiles approx. 1m<sup>2</sup> and cut hole in roof to suit size of Em-Tube

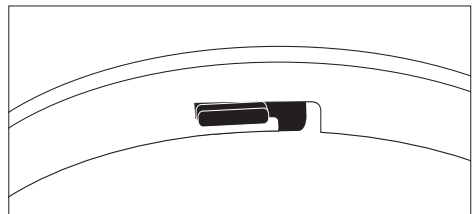
**02:**

Cut hole in felt to match the diameter of tube you are fitting.  
Cut tile baton also to Tube size



**03:**

Fit the top stainless steel ring of the tube into the bayonet fitting of the Roof unit, from the underside, ensure that you rotate the tube into position.

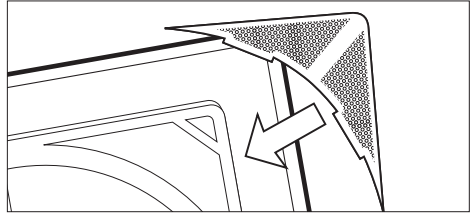


**04:**

Feed the tubing through the hole in the roof felt

## 05:

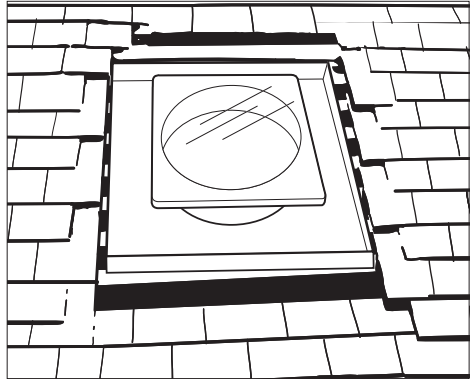
Where passive ventilation is required, replace the blank tabs on the underside of the dome with the perforated tabs provided.



## 06:

Place the roof assembly onto the roof tile batons. The upper end of the flashing unit should be under the roof tiles above. The bottom of the unit with the lead attached should be on top of the tile below.

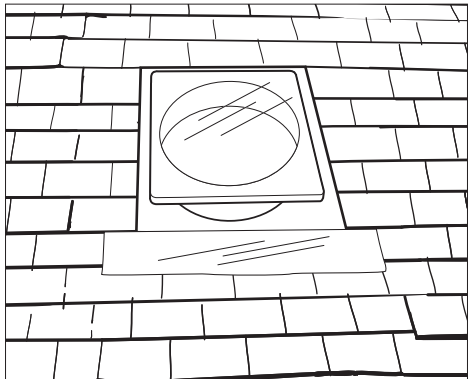
Secure the roof unit to the batons by placing 25mm galvanised nail into roof batons and bending them over edge of the flashing unit. Do not puncture the Em-Tube tray.



## 07:

Replace roof tiles over the roof flashing plate ensuring that the foam weathering strip is covered with the tiles, it may be necessary to cut the roof tiles to suit.

It is good practice to render the edge of the roof tiles that are sitting on the Em-Tube flashing with sand and cement.

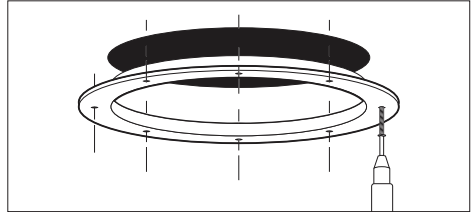


## 08: Fitting the Tube to the ceiling.

Ensure that you are cutting the hole in the correct position and that there are no obstructions in the attic, such as pipe work or electric cables

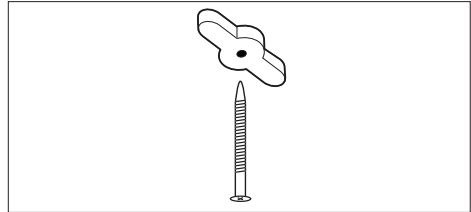
### 09:

Fit the ceiling frame into the ceiling.



### 10:

Secure the ceiling frame with the long screws, place the plastic retainers to the screws from the other side of the ceiling.



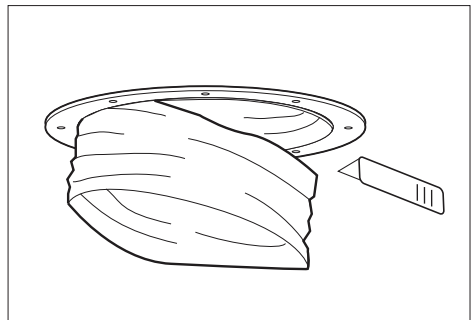
### 11:

If the roof unit is in the correct position above the ceiling assembly, you should now be able to reach through the hole in the ceiling and pull the tube through the ceiling frame.

It is important, in order to achieve maximum light transmission, that you pull the tube tight as possible.

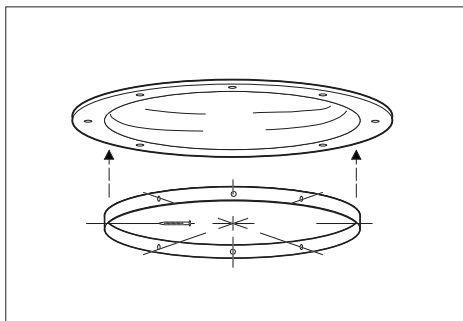
Using a Stanley knife cut off the excess tube flush with the bottom of the ceiling frame.

Use a wire cutters to cut the wire coil of the tube.



## 12:

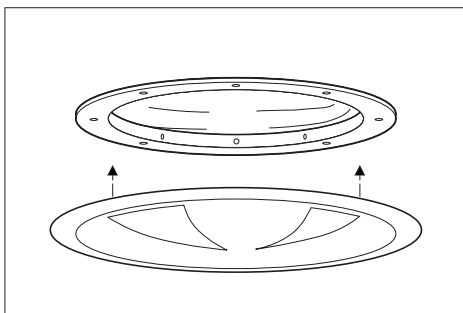
Insert the white PVC retainer ring into the ceiling frame ensuring that the flexible tube is caught between them. Keeping the bottom edge of the retainer ring flush with the flat surface of the ceiling frame, secure into place using the small flat head screws provided.



## 13:

Offer the ceiling diffuser up to the ceiling frame, align the magnets in the ceiling diffuser with the connectors in the ceiling frame. It may be necessary to rotate the diffuser to the right or left to achieve a good connection.

Where passive ventilation is desired, via the Tunnel, fit the 10 mm spacer magnets to the ceiling frame before attaching it to the ceiling.



Ensure the diffuser panel is smooth side up ie, prismatic side facing downwards to throw the light.



Tel: 0800 019 4493

Email: [info@rooflights-skylights.co.uk](mailto:info@rooflights-skylights.co.uk)

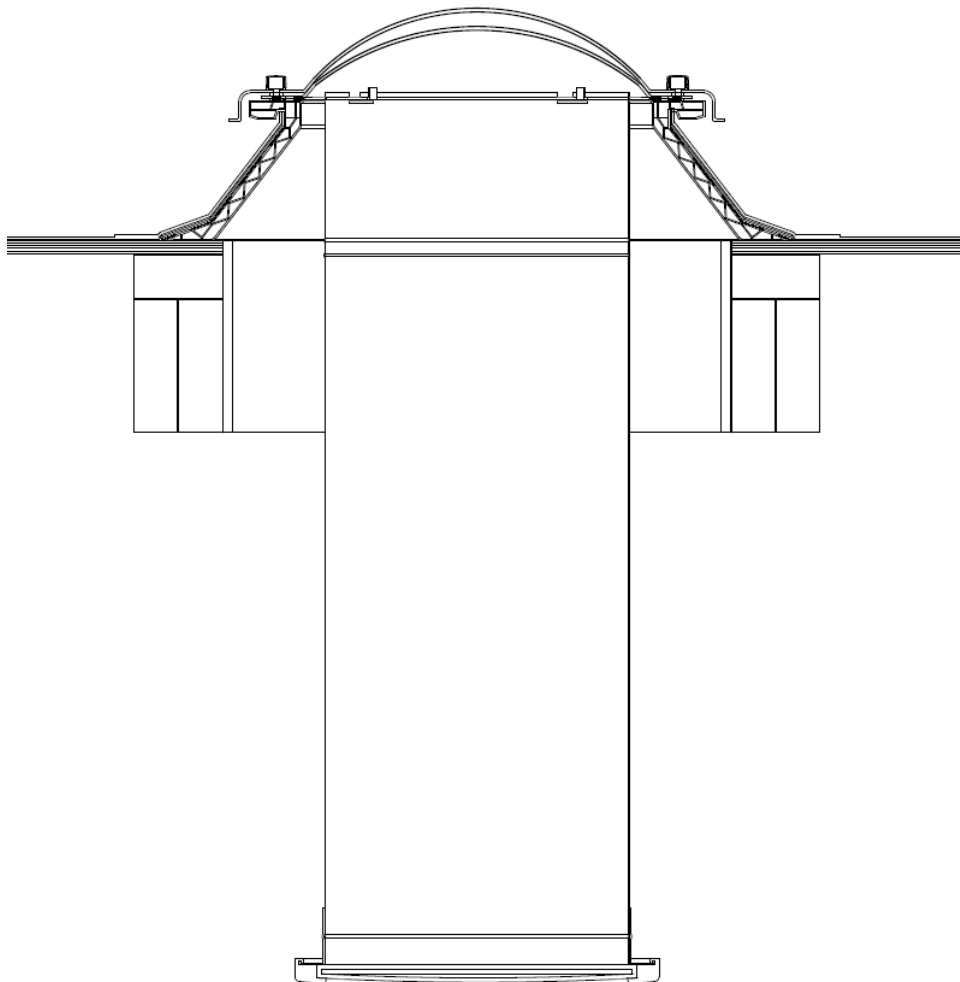
Web: [www.rooflights-skylights.co.uk](http://www.rooflights-skylights.co.uk)

# INSTALLATION INSTRUCTIONS



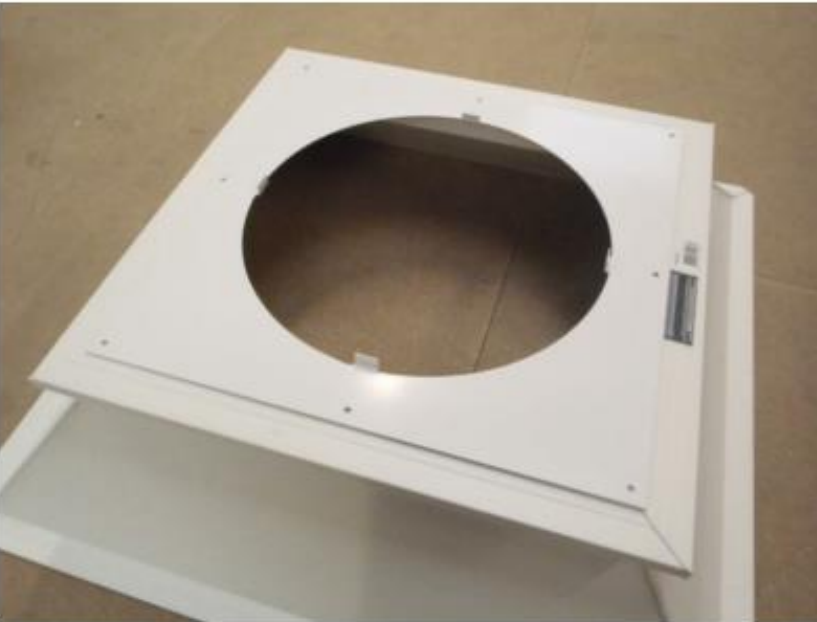
## TUBULAR SKYLIGHT

**Supplementary Instructions to Fixing Booklet 070 or 071  
For Double Skin Domes**



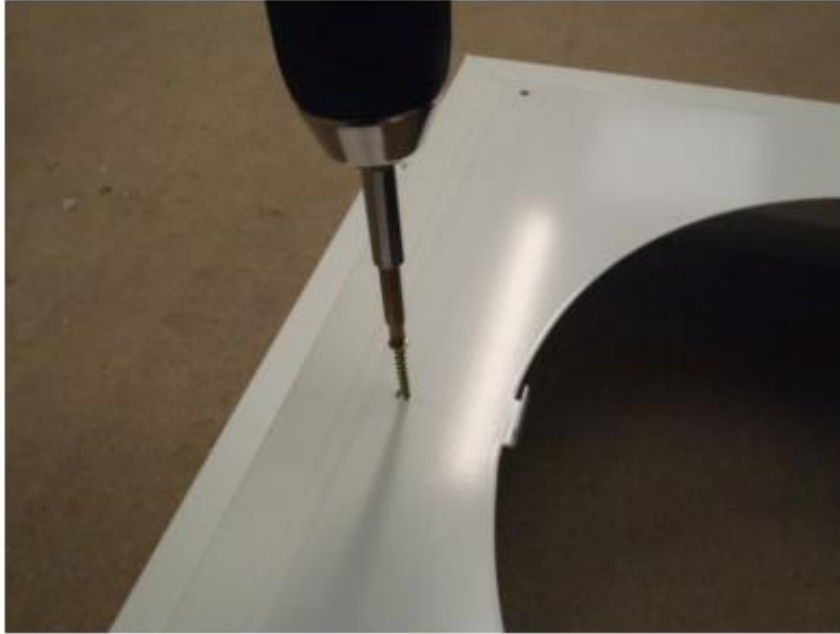


Standard upstand can either be PVC splayed or builders curb

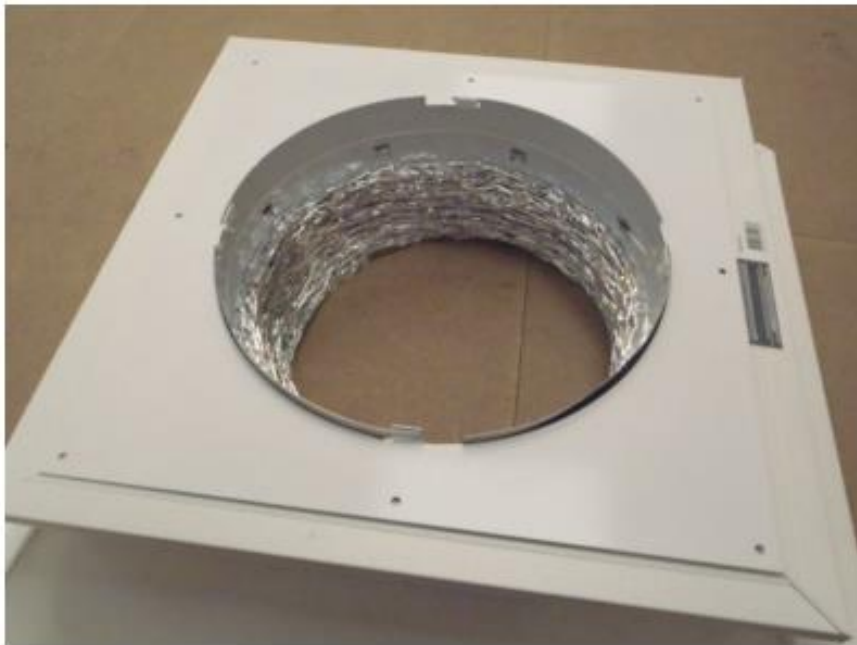


Position Bayonet centrally on to upstand





Fix using screws provided



Lift tube (flexi or rigid) through the bayonet and rotate so that the location fingers lock onto the bayonet fixing lugs. (This can also be carried out before the bayonet is fixed if preferred)



Once tube is in final position, ends of locking fingers can be twisted round the fixing lugs to clamp into place



 **Rooflights  
& Skylights**

Tel: 0800 019 4493

Email: [info@rooflights-skylights.co.uk](mailto:info@rooflights-skylights.co.uk)

Web: [www.rooflights-skylights.co.uk](http://www.rooflights-skylights.co.uk)