

## Installation Procedure for Fixed Single Pane Flatglass Rooflights

- ▶ Flatglass rooflights must be stored and transported flat



### Tools Required:



Drill



No.25 TX Torx Bit



7mm Drill Bit  
(Supplied)



Rubberised Mallet

### Installation:



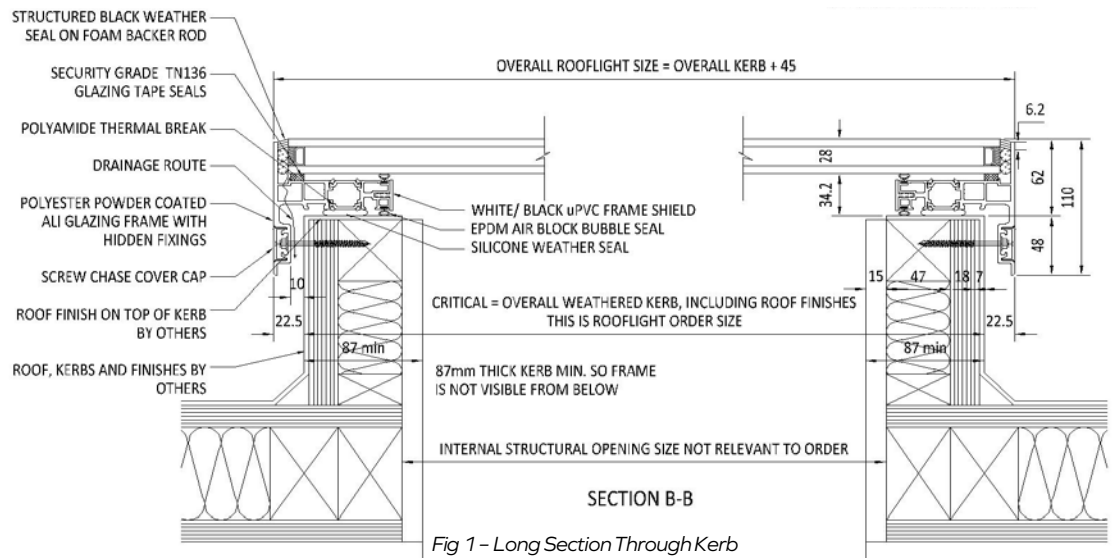
Weather Sealant



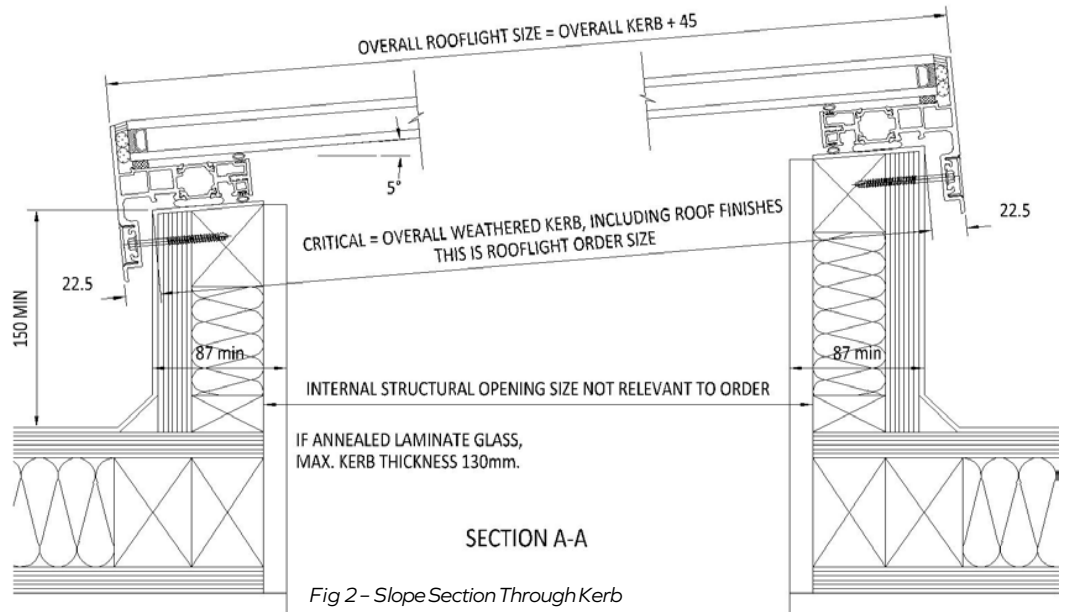
Kerb Fixing Screws (colour will vary)

## Installation Procedure:

- ▶ 1. Check size of rooflight and the size of the external Kerb to make sure the Rooflight will fit over the kerb. The Rooflight should be bigger than the kerb. The rooflight must not be forced down over the kerb as this will cause the frame to twist which may adversely affect the glass. There should be at least 10mm between inside face of frame and finished kerb. This 10mm is also required for adequate drainage.



- ▶ 2. Check that the kerb has been constructed with a min 5° fall to help shed water off the glass, and that the kerb top is level and in one continuous plane (this is most important as this could adversely affect drainage).  
5° is a minimum to shed water but this is by no means the correct fall for every rooflight. A decision must be made on site by the installer regarding the correct amount of fall to reduce any water pooling effects.



- ▶ **3.** Apply a minimum 30mm wide strip of a one-part, medium-modulus, elastomeric silicone sealant designed for general weather sealing to the top of the kerb to seal and adhere to the underside of the fixing frame. The centre of the 30mm silicone strip should be approx. 30mm from outside kerb face. Alternatively, butyl or foam tape seals can be used.
- ▶ **4.** Position the rooflight onto the top of the kerb ensuring the butyl tape or seal is in full contact with the kerb top around the full perimeter.
- ▶ **5.** Once in place, drill fixing holes in the frame in the lower screw chase with the 7mm drill bit provided. Start 150mm from each corner then at approx. 500mm centres. Use smaller centres for higher wind load areas.
- ▶ **6.** Using the appropriate kerb fixing screws for the kerb material, fix the frame to the kerb horizontally through the fixing holes in the perimeter frame. Make sure to pilot drill the kerb fixing holes with a 3mm drill bit so that the screw heads do not shear off. **DO NOT** overtighten the fixing screws as this will deform the perimeter glazing frame and could cause damage to the glass or result in leaks.

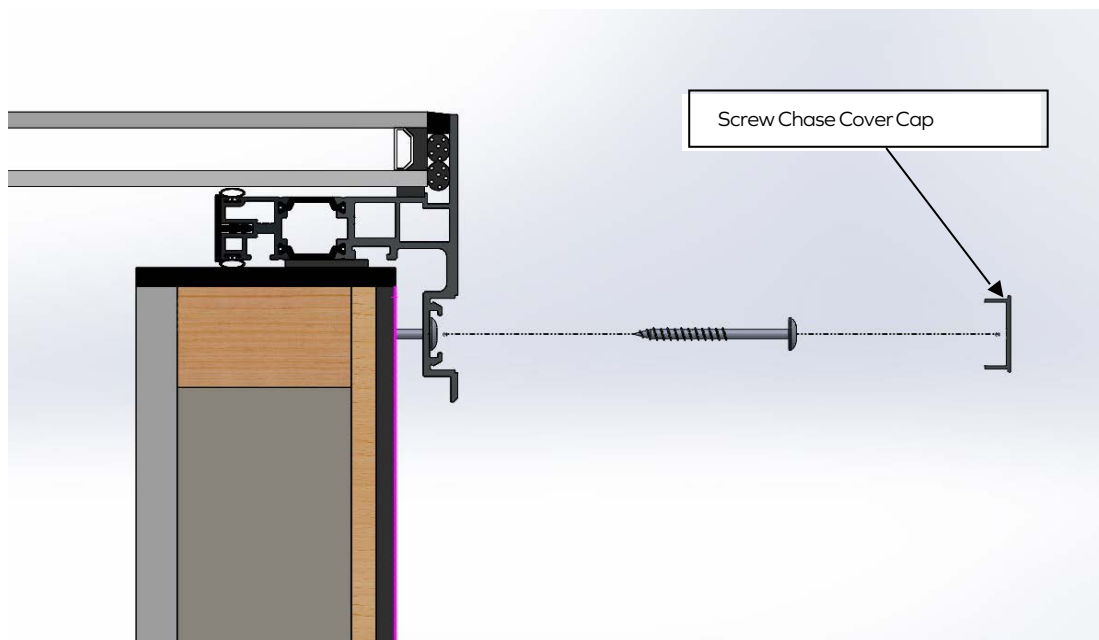


Fig 3 – Kerb Fixing Screw Cover Cap

- ▶ **7.** Once the kerb fixing screws are in place, clip the screw cover cap into place. This may be very tight and hard to clip in. This is to prevent unauthorised access to the screws after installation. Slide three of the cover caps into place and tap the last one in with a large [50mm min.] rubberised mallet. If the cap fitting is loose, use a blob or two of clear silicone or glue under the cap.
- ▶ **8.** PLEASE NOTE: Once the rooflight has been installed all the protective scratch film should be removed on the day of installation. The protective film will become brittle and difficult to remove over time and may damage the frame finish if left for prolonged periods. **DO NOT** leave taped frames in direct sunlight for extended periods.

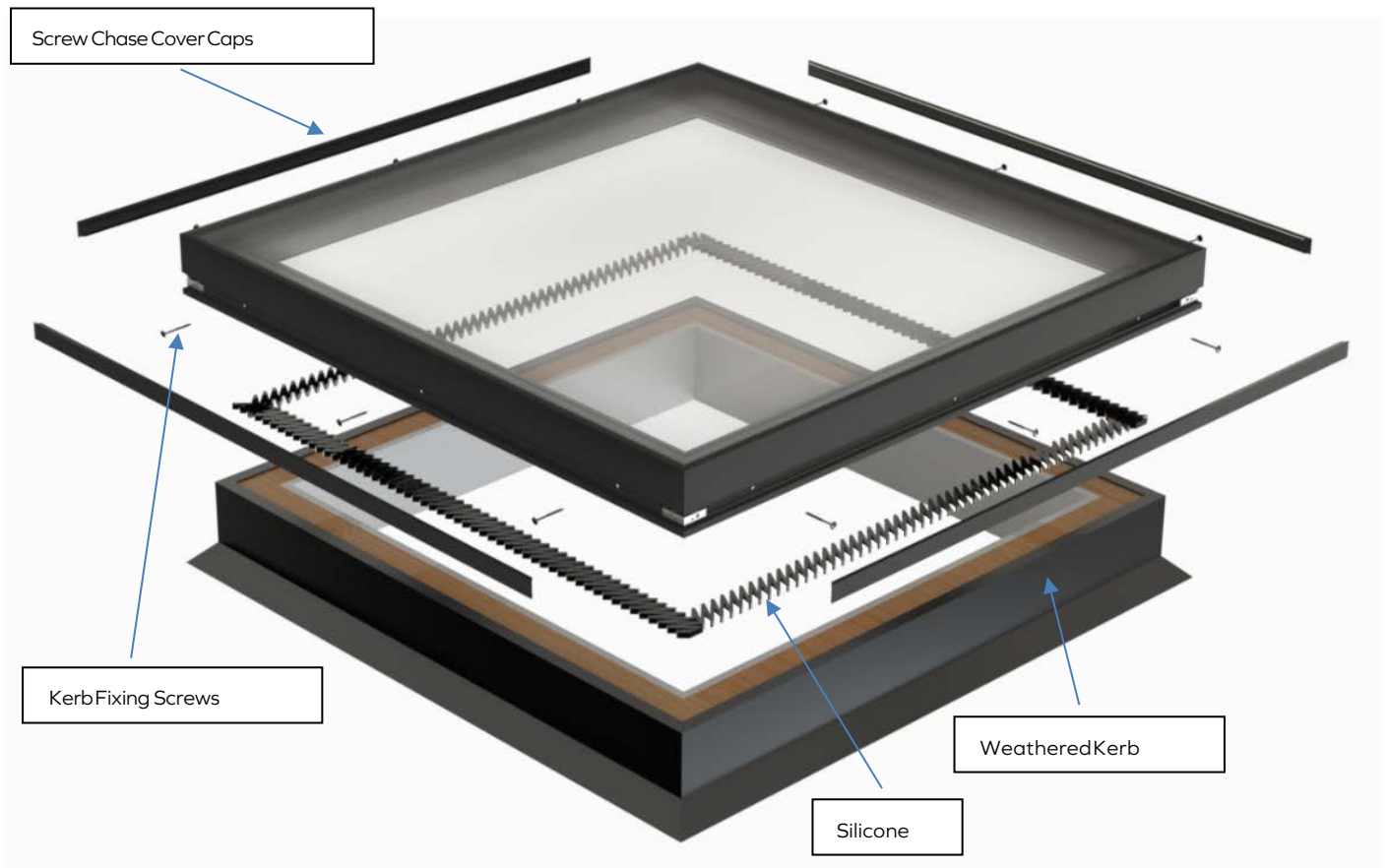


Fig 4 - Exploded Kerb View