

STOCK ROOFLIGHTS

SPAN EXTERNAL KERB MM	LENGTH EXTERNAL KERB MM	U-VALUE W/m ² .K	WEIGHT KG
750	750	1.8	28
900	1200	1.6	48
1000	1000	1.6	45
1000	1500	1.5	63
1000	1800	1.5	74
1000	2000	1.5	81
1000	2500	1.4	100
1000	3000	1.4	118
1200	1200	1.5	61
1200	2000	1.4	95
1500	1500	1.4	89

NOTES

GLASS SPEC:

OUTER : 6mm CLEAR HST TOUGHENED GLASS
 CAVITY : 16mm ARGON FILLED + WARM EDGE SPACER
 INNER : 6mm CLEAR HST TOUGHENED + LOW E COATING SILICONE BONDED

LIGHT TRANSMISSION = 78 %
 CENTRE PANE U VALUE = 1.1 W/m².K
 SOLAR G VALUE = 0.63
 ACOUSTIC REDUCTION = 35 Rw dB

ROOFLIGHT ORDER SIZE = OVERALL FINISHED AND WEATHER KERB DIMS, INTERNAL OPENING SIZE IS NOT RELEVANT TO NDDC AT ORDER STAGE.

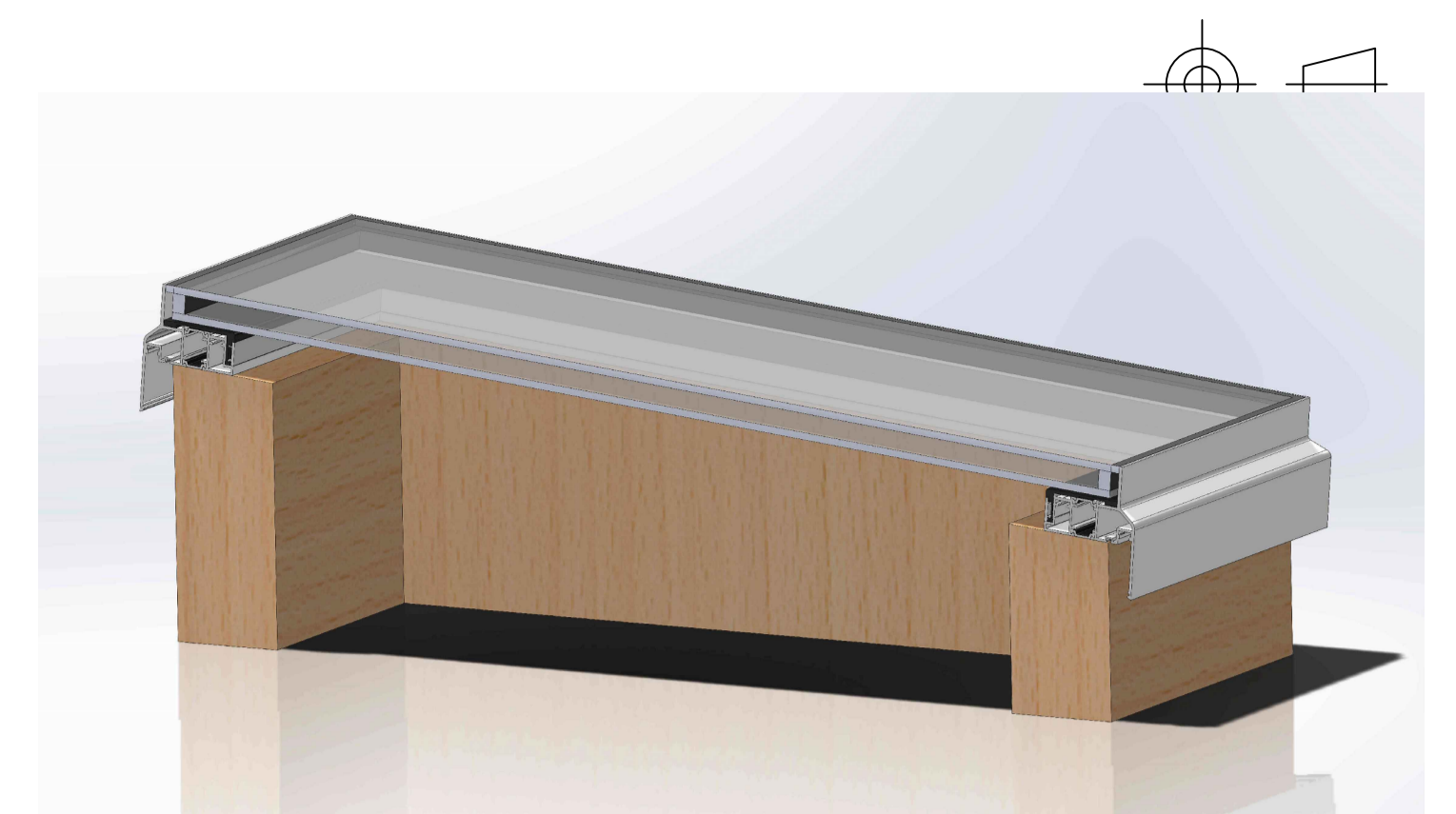
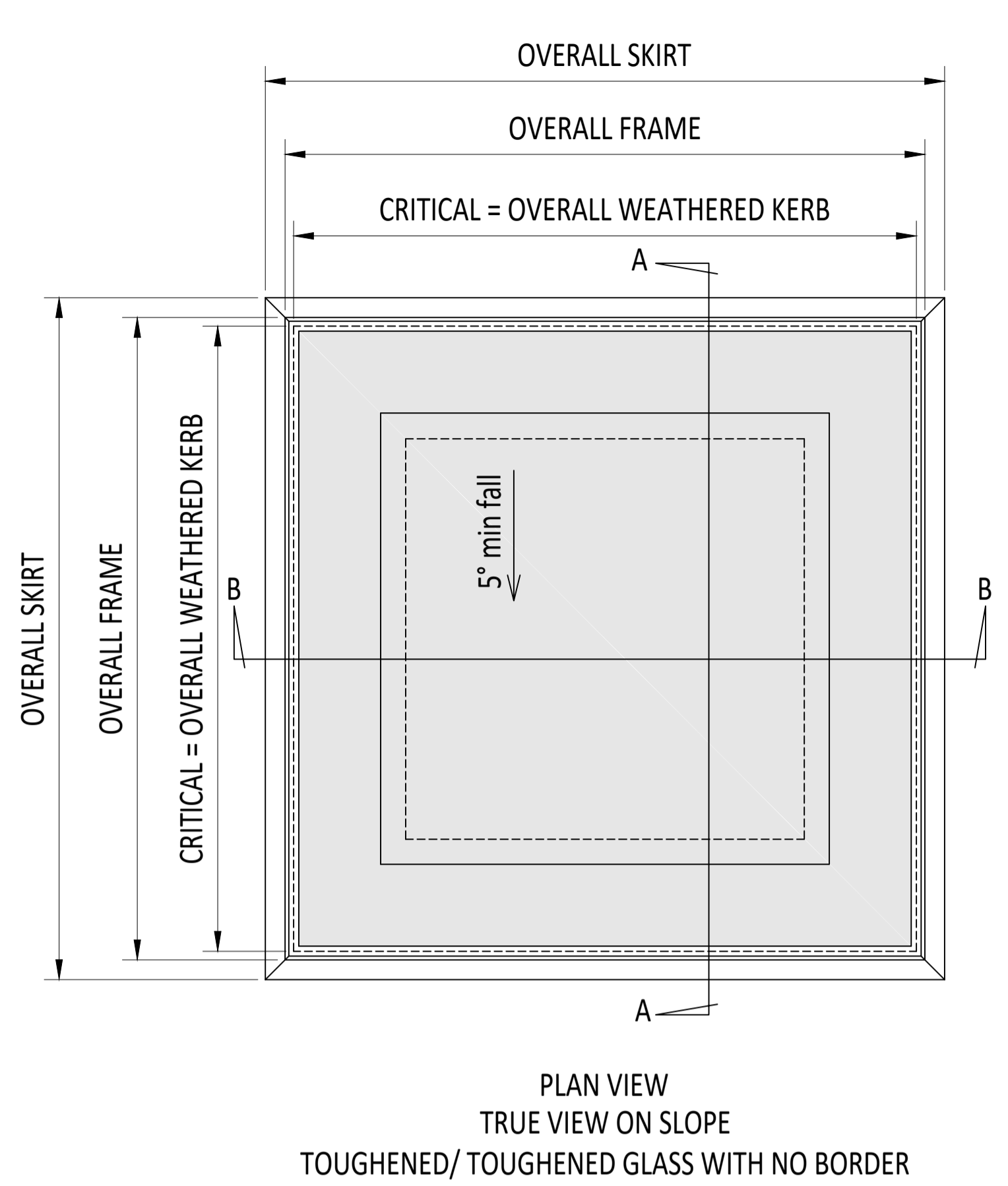
GLAZING CASSETTE SCREWED TO FRAME INTERNALLY.

GLASS BONDED TO FRAME WITH GLAZING SECURITY TAPE.

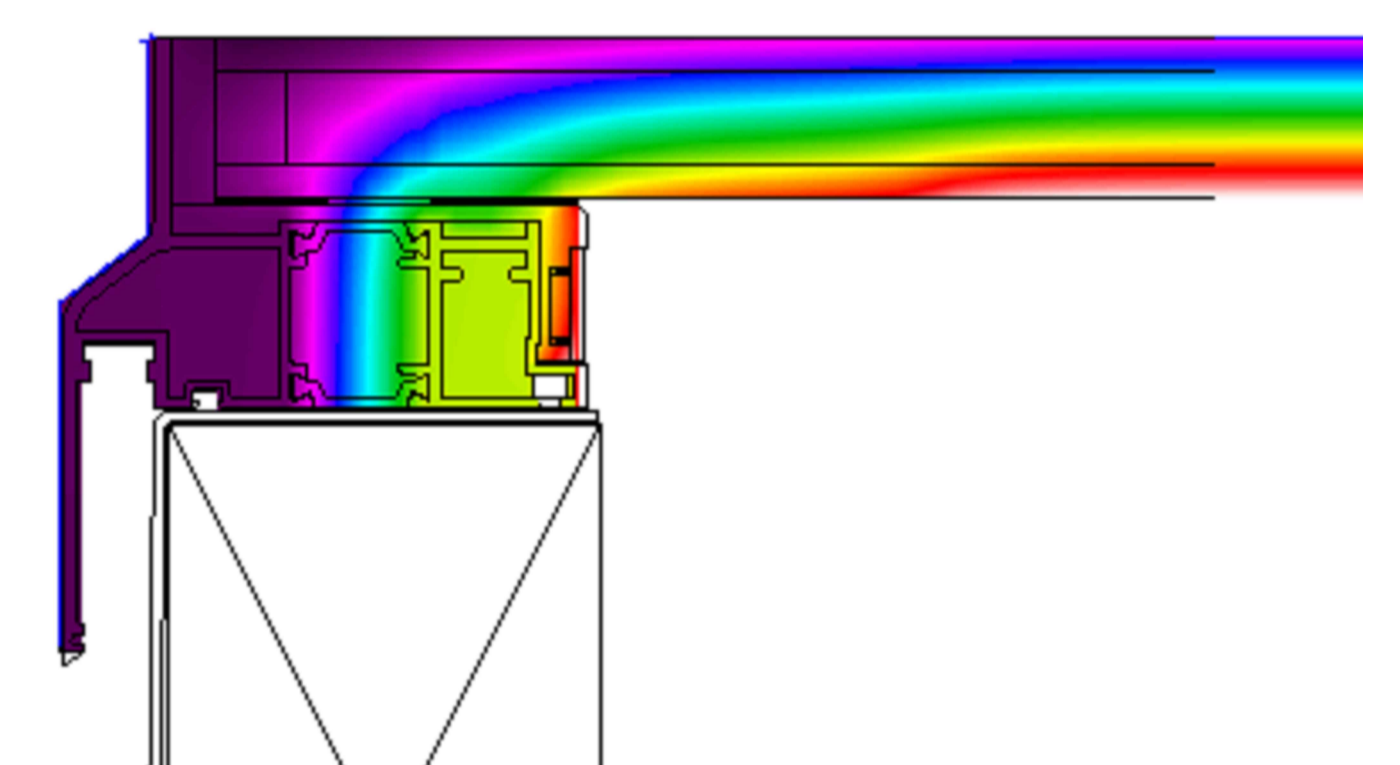
KERB DETAILS SHOWN INDICATIVE DETAILED DESIGN BY OTHERS.

MIN. FALL SHOWN TO HELP SHED WATER.

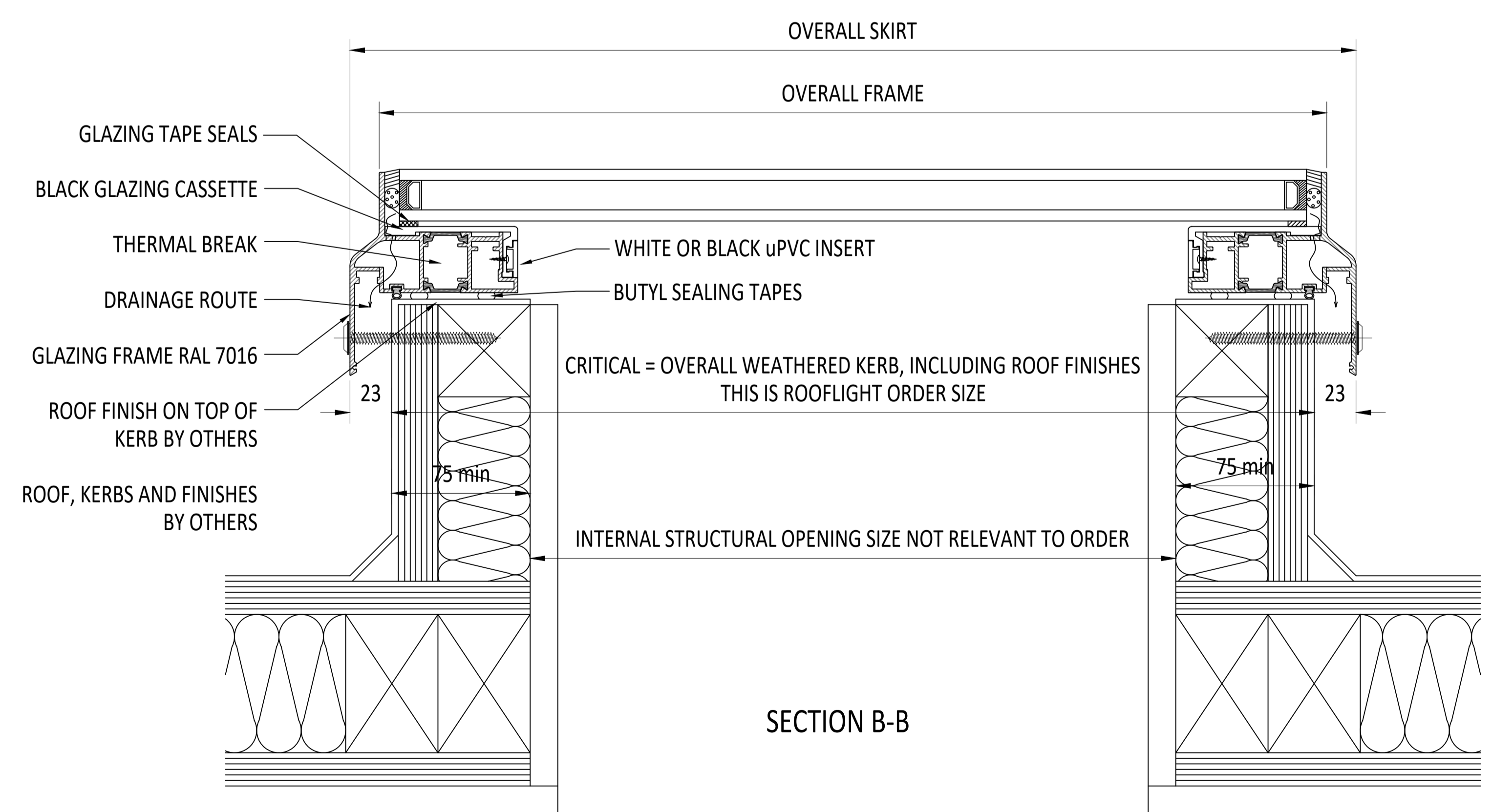
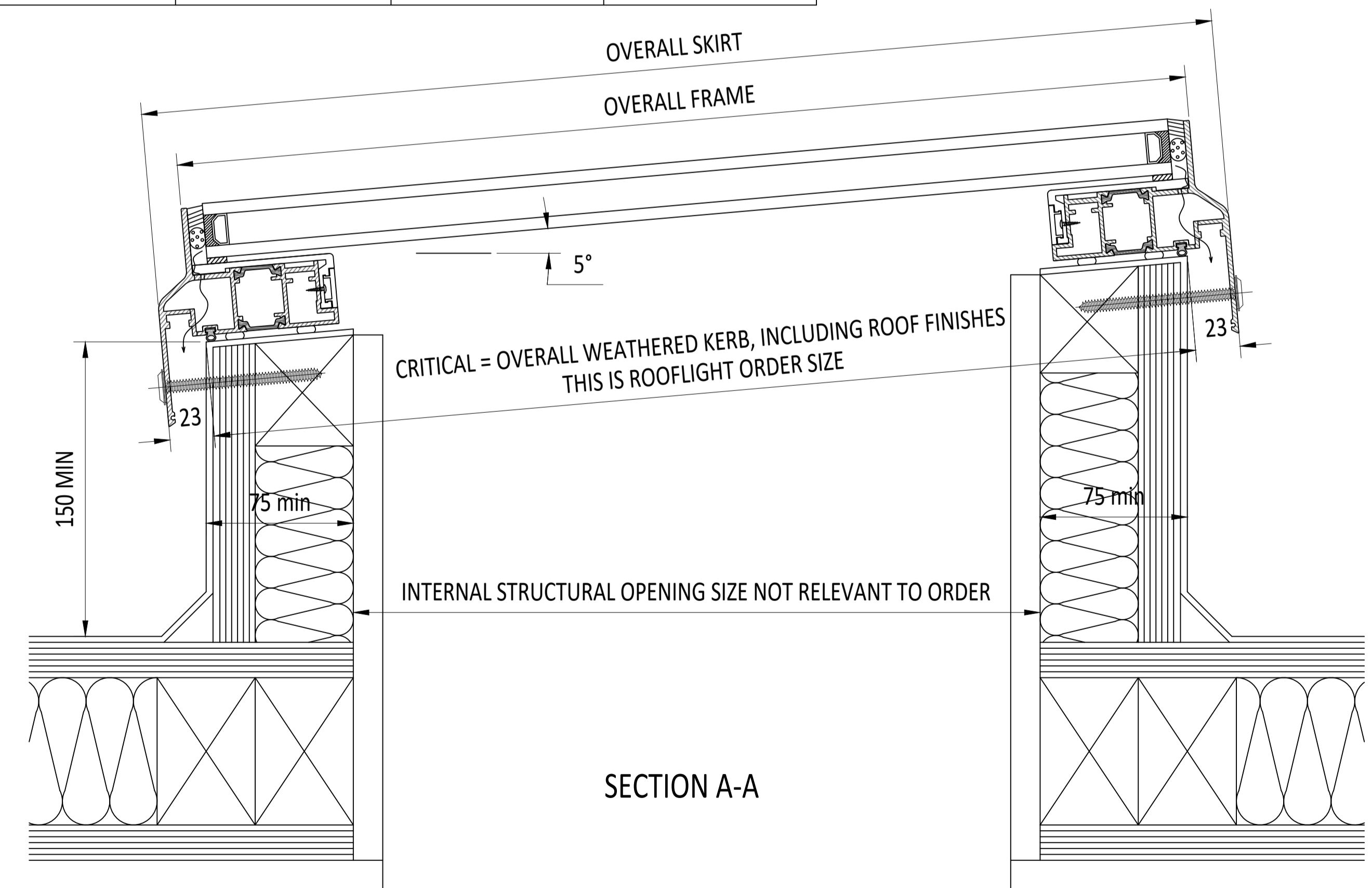
PRODUCT U-VALUE = AS LOW AS 1.4 W/m².K (u-values are size dependant)



3D SECTION THROUGH KERB



THERMAL IMAGING OF FRAME



IF IN DOUBT ASK
 DO NOT SCALE

IT IS THE RESPONSIBILITY OF THE KERB DESIGNER TO ENSURE THE KERB WILL BE STRUCTURALLY ADEQUATE TO HOLD THE ROOFLIGHT. KERBS SHOWN ON NDDC DRAWINGS ARE FOR ILLUSTRATION PURPOSES ONLY.

NDDC would advise an installation with a minimum pitch of 5° for rooflight units to minimize water pooling. Whilst the product can be installed flat without detriment to the warranty, NDDC cannot be held responsible for any excessive pooling of water to the surface of the rooflight post installation, if installed without an adequate fall.

THIS DRAWING MUST NOT BE COPIED OR PASSED TO A THIRD PARTY WITHOUT WRITTEN CONSENT FROM NDDC LIMITED.

CHECKED DATE 10-10-2017
 DRAWN D. PUGH
 DATE 10-10-2017

TOLERANCE UNLESS OTHERWISE STATED ±5
 DIMENSIONS IN MM
 SCALE 1:2 @ A1

MATERIAL ALUMINIUM + GLASS
 FINISH POLYESTER POWDER COATING RAL 7016 ANTHRACITE GREY, 70% GLOSS

REV	AMENDMENTS	SIGNED	CHECKED	DATE

TITLE: THERMALLY BROKEN FIXED FLATGLASS

A1
 DRAWING NO. RG-80-500
 SHEET 1