

Mardome Trade

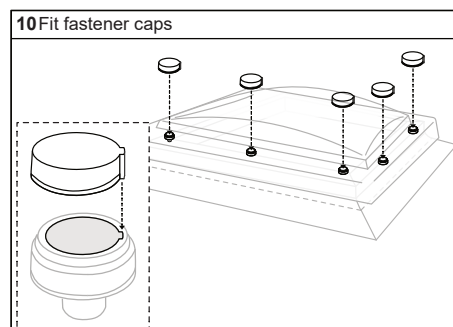
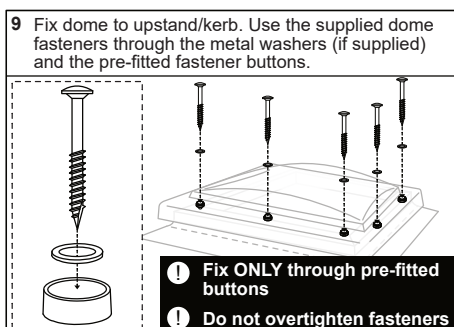
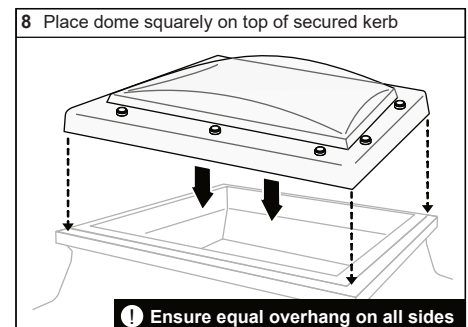
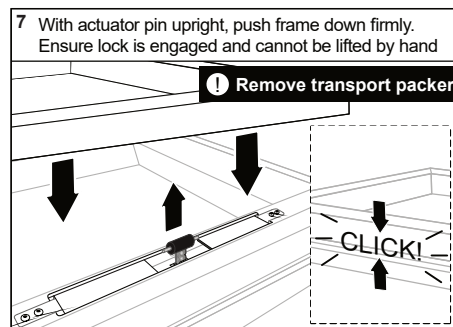
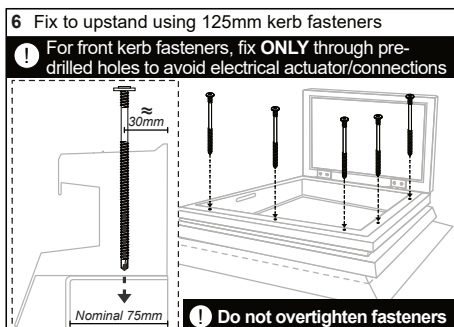
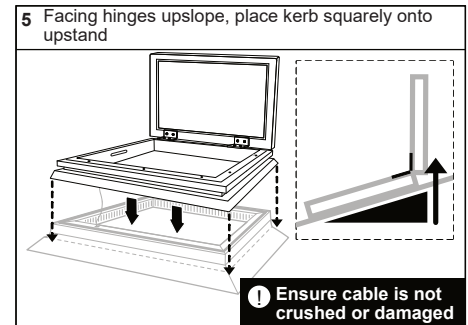
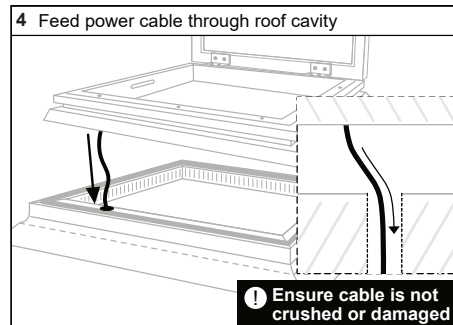
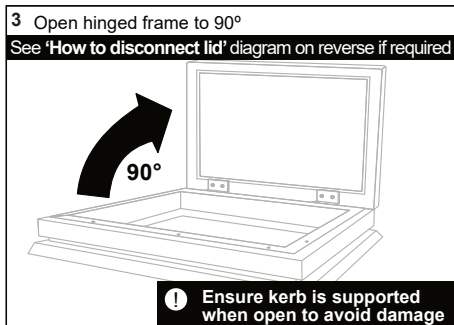
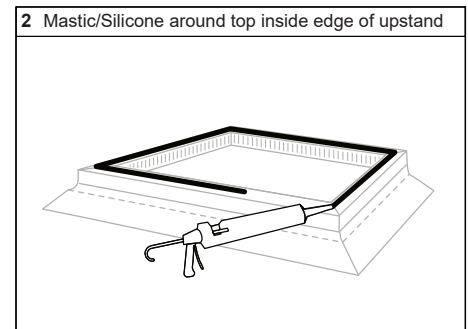
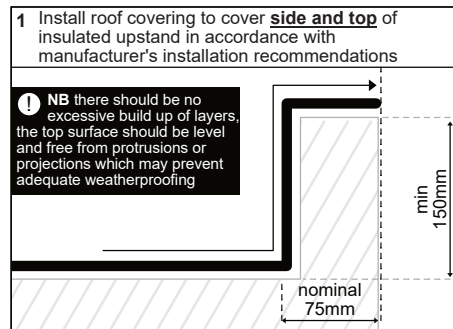
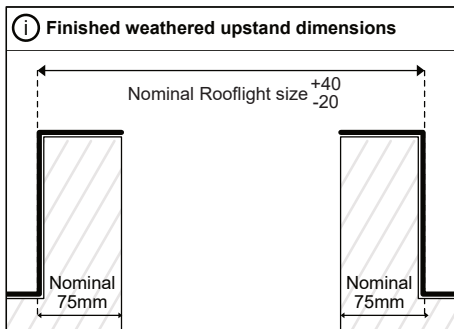


TB189

Powered Opening Dome
on builders upstand

Contents			Take care when unpacking	Check all correct parts are included and undamaged	Only use fixings supplied	Fixing Quantities	
Outer Dome	Hinged Kerb	Metal Washers (if supplied)	Wall Switch (PCD only)	Switch (centre sprung)		Length of Nominal Dome Side (mm)	Number of fixings per side
Dome Fasteners	Kerb Fastener	Fastener Caps	Remote Control (PCR only)	Remote Control with holder		600, 750	2
			Remote Control & Rain Sensor (PCS only)	Remote Control with holder Rain Sensor		900, 1050, 1200	3
						1350, 1500, 1650	4
						1800, 1950	5
						2100, 2250	6
						2400	7

All Health & Safety Regulations must be followed on site throughout the installation process



11 Connect electrics (see diagrams on pages 3 & 4)

This should only be completed by a suitably qualified electrician

TECHNICAL SUPPORT: For any technical information/queries please contact your supplier.

The manufacturer operates a policy of continuous product improvement, and reserves the right to alter specifications at any time without notice. Every effort has been taken to ensure all details contained in this document are correct at the time of going to press but this document should be used only as a guide and does not in any way form part of a contract or warranty. It is the customer's responsibility to ensure that the product is suitable for the actual conditions of use, which are beyond the control of the manufacturer.

Mardome Trade



TB189

Powered Opening Dome on PVC kerb

Contents				Fixing Quantities	
<p>⚠ Take care when unpacking Check all correct parts are included and undamaged Only use fixings supplied</p>				Length of Nominal Dome Side (mm)	Number of fixings per side
Outer Dome	Dome Fasteners	Metal Washers (if supplied)	Wall Switch (PCD only)	600, 750	2
150mm/300mm Hinged kerb	Kerb Fastener	Fastener Caps	Remote Control (PCR only)	900, 1050, 1200	3
			Remote Control & Rain Sensor (PCS only)	1350, 1500, 1650	4
				1800, 1950	5
				2100, 2250	6
				2400	7

⚠ All Health & Safety Regulations must be followed on site throughout the installation process

1 Mastic/Silicone around the edge of the roof opening

2 Feed power cable through roof cavity

⚠ Ensure cable is not crushed or damaged

3 Facing hinges upslope, place kerb squarely over roof opening

4 Fix kerb to roof using 55mm kerb fasteners
Remove and retain label

⚠ See fixing quantities table
⚠ Do not overtighten fasteners

5 Install roof covering according to manufacturer's installation recommendations

If required, lightly torch roof covering.

⚠ NEVER apply direct heat or naked flame to the rooflight
⚠ Fit using instructions on kerb label

6 Terminate roof covering in accordance with instructions on retained kerb label

7 Place dome squarely on top of secured kerb

⚠ Ensure equal overhang on all sides

8 Fix dome to upstand/kerb. Use the supplied dome fasteners through the metal washers (if supplied) and the pre-fitted fastener buttons.

⚠ Fix ONLY through pre-fitted buttons
⚠ Do not overtighten fasteners

9 Fit fastener caps

10 Connect electrics (see diagrams on pages 3 & 4)
This should only be completed by a suitably qualified electrician

How to disconnect lid (if required)

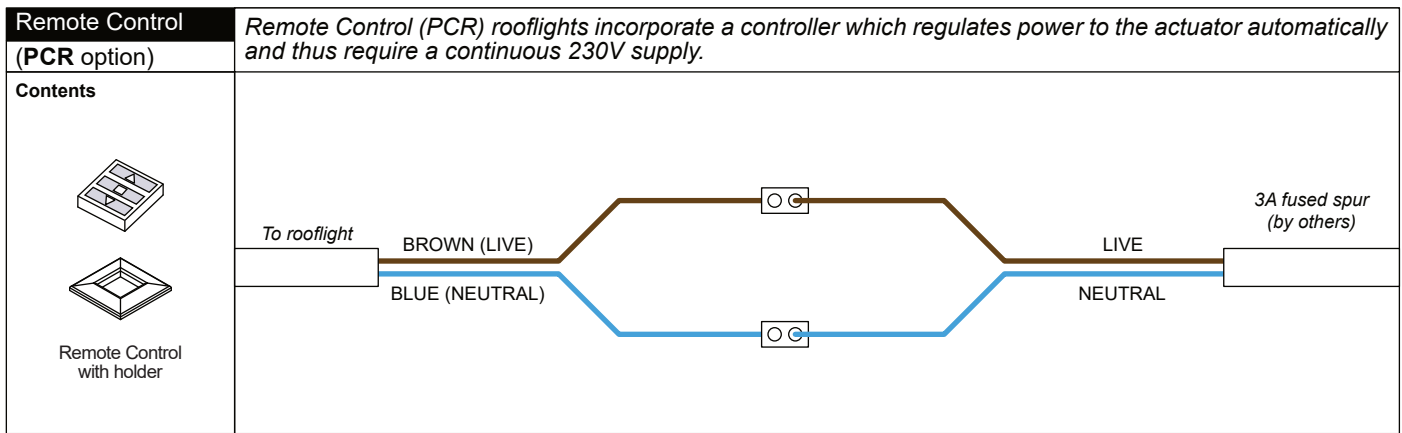
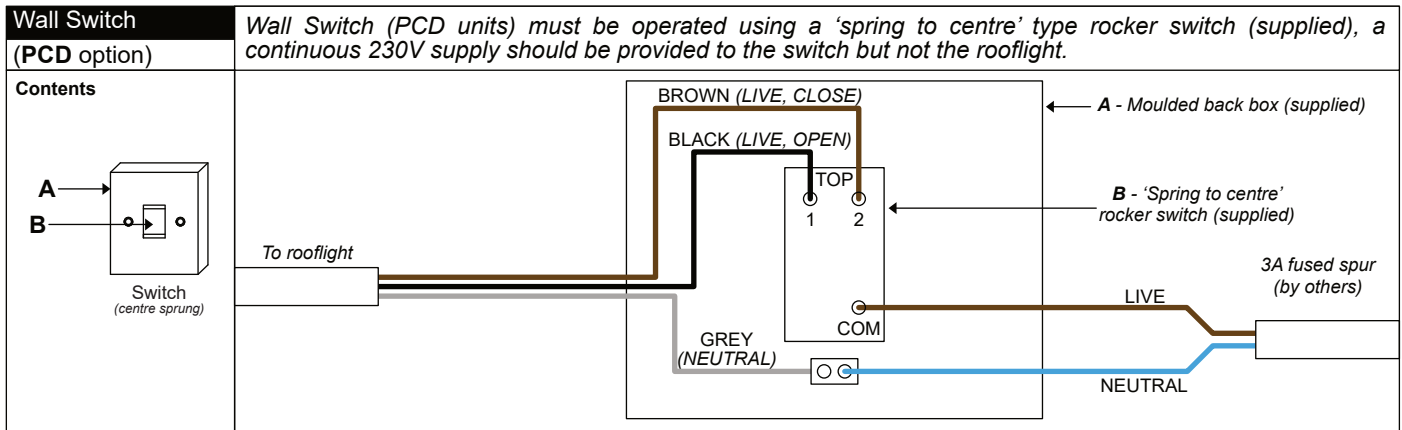
Ⓞ TECHNICAL SUPPORT: For any technical information/queries please contact your supplier.

The manufacturer operates a policy of continuous product improvement, and reserves the right to alter specifications at any time without notice. Every effort has been taken to ensure all details contained in this document are correct at the time of going to press but this document should be used only as a guide and does not in any way form part of a contract or warranty. It is the customer's responsibility to ensure that the product is suitable for the actual conditions of use, which are beyond the control of the manufacturer.



Connect electrics **ⓘ** Please note that all wiring and commissioning must be undertaken by a suitably trained and qualified person. The installer must ensure that all wiring runs, cable thickness and earthing etc. meet current regulations.

230V (AC) actuators must not be operated by supplying continuous power to the actuator; this will damage the actuator over time and void any warranty.



ⓘ **TECHNICAL SUPPORT:** For any technical information/queries please contact your supplier.

The manufacturer operates a policy of continuous product improvement, and reserves the right to alter specifications at any time without notice. Every effort has been taken to ensure all details contained in this document are correct at the time of going to press but this document should be used only as a guide and does not in any way form part of a contract or warranty. It is the customer's responsibility to ensure that the product is suitable for the actual conditions of use, which are beyond the control of the manufacturer.



Remote Control with Rain Sensor (PCS option)

Remote Control with Rain Sensor (PCS) rooflights incorporate a controller which regulates power to the actuator automatically and thus require a continuous 230V supply. The rain sensor that comes with PCS units requires a continuous 230V supply and **communicates with the rooflight wirelessly (DO NOT WIRE TO ROOFLIGHT).**

Contents



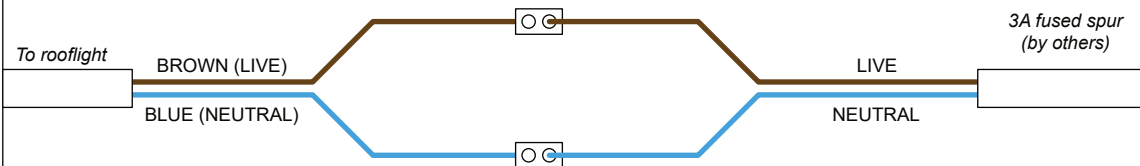
Rain Sensor



Remote Control with holder

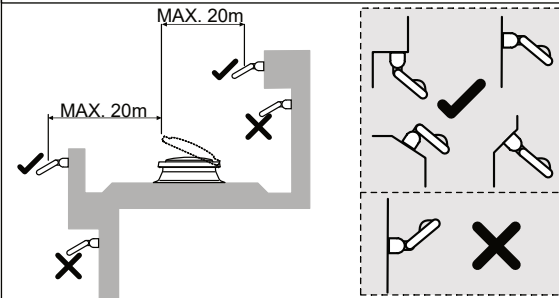
ROOFLIGHT

Rooflight (do not wire rain sensor to rooflight)

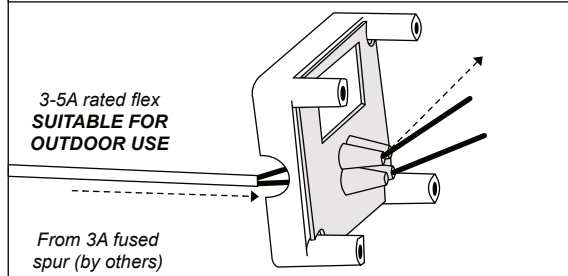


RAIN SENSOR

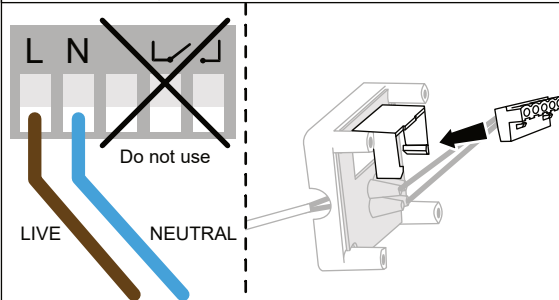
1 - Rain Sensor Identify suitable location for rain sensor. **Must be positioned somewhere it will be hit by rain**



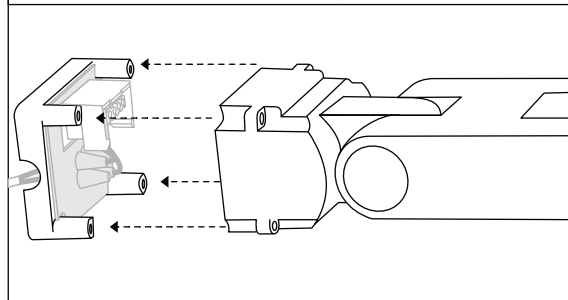
2 Thread 2 core electrical supply cable (**3-5A rated flex**) through the access point on the mounting plate and the grey grommet from the rear. Fit mounting plate to wall/surface.



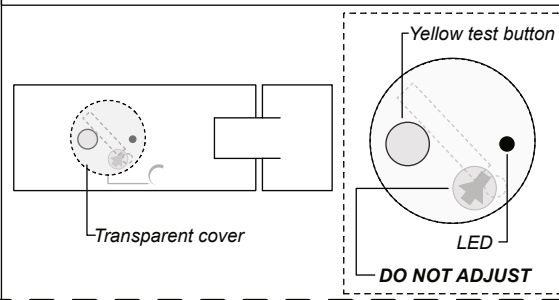
3 Wire into green terminal. Once wired, connect green terminal strip into mounting plate.



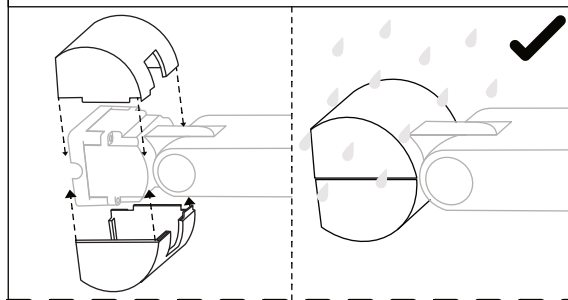
4 Connect sensor to mounting plate, making sure pins are aligned correctly. Fasten rain sensor to mounting plate.



5 Check green LED lights up when power is turned on. If not, remove transparent cover and press yellow test button, LED should flash amber.



6 Clip waterproof cowl over the top and ensure all electrics are properly sealed and weatherproofed.



ⓘ **TECHNICAL SUPPORT:** For any technical information/queries please contact your supplier.

The manufacturer operates a policy of continuous product improvement, and reserves the right to alter specifications at any time without notice. Every effort has been taken to ensure all details contained in this document are correct at the time of going to press but this document should be used only as a guide and does not in any way form part of a contract or warranty. It is the customer's responsibility to ensure that the product is suitable for the actual conditions of use, which are beyond the control of the manufacturer.