

# TB400

## Fixed Flat Glass Rooflight on builders upstand

**Contents** **!** Take care when unpacking **Check all correct parts are included and undamaged** **Only use fixings supplied**

Flat Glass Rooflight

Plastic Packers

Snap Cap Washers

Expanding Foam Tape

Vented Kerb

Unit Fasteners

Snap Caps

Kerb Fastener

125mm

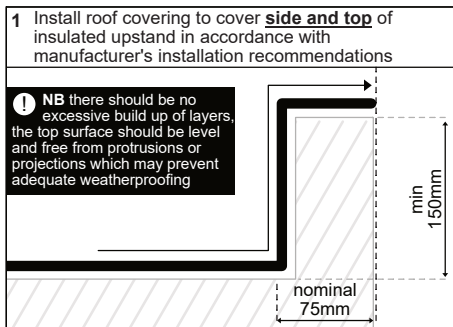
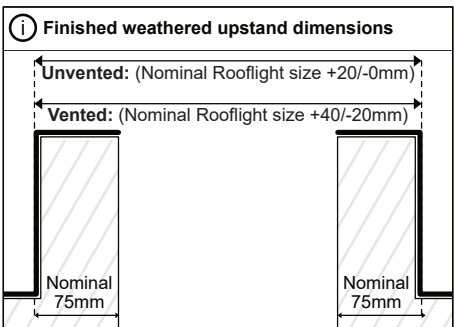
UNVENTED ONLY

VENTED ONLY

Kerb	Fixing Quantities
Length of Nominal Unit Side (mm)	Number of fixings per side
750 and under	2
751 to 1200	3
1201 to 1650	4
1651 to 1950	5
1951 to 2250	6
2251 to 3000	7

**!** All Health & Safety Regulations must be followed on site throughout the installation process

**!** WARNING! Flat glass units are heavy. Some units may require a mechanical lift.



Glass Unit	Fixing Quantities
Length of Nominal Unit Side (mm)	Number of fixings per side
899 and under	2
900 to 1500	3
1501 to 2000	5
2001 to 2500	7
2501 to 3000	9
3001 to 3600	11

**VENTED ONLY**

**2** Mastic/Silicone around top inside edge of upstand

**3** Place kerb squarely onto upstand

**4** Fix kerb to upstand using 125mm kerb fasteners

30mm

Nominal 75mm

**!** Do not overtighten fasteners

**UNVENTED ONLY**

**2** Apply expanding foam tape around top inside edge of upstand

Expanding foam tape

**3** Mastic/Silicone 25mm from the outside edge of upstand

25mm

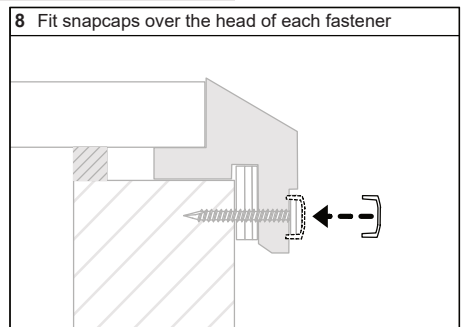
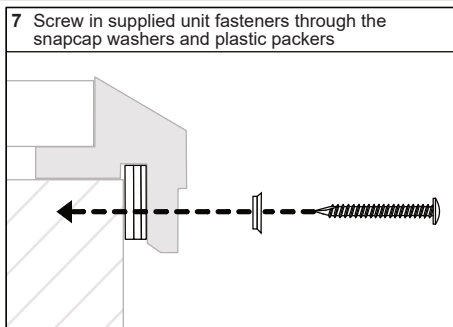
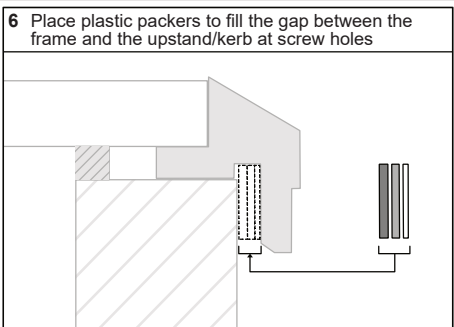
Mastic/Silicone 6mm Ø

**5** Place glass unit squarely onto upstand/kerb

**!** Ensure equal overhang on all sides

UNVENTED

VENTED



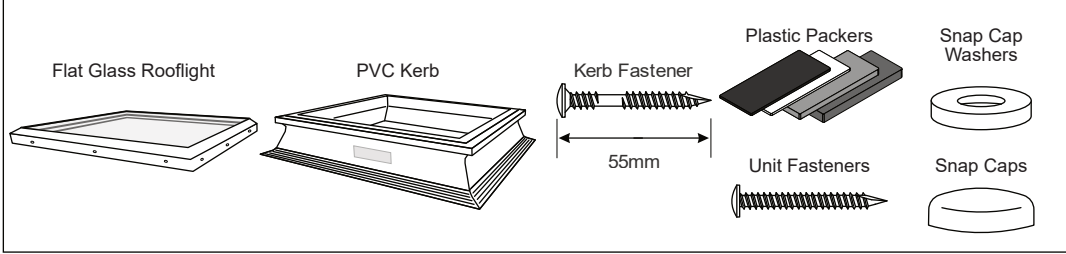
**!** TECHNICAL SUPPORT: For any technical information/queries please contact your supplier.

The manufacturer operates a policy of continuous product improvement, and reserves the right to alter specifications at any time without notice. Every effort has been taken to ensure all details contained in this document are correct at the time of going to press but this document should be used only as a guide and does not in any way form part of a contract or warranty. It is the customer's responsibility to ensure that the product is suitable for the actual conditions of use, which are beyond the control of the manufacturer.

# TB400

## Fixed Flat Glass Rooflight on PVC kerb

**Contents** **!** Take care when unpacking **!** Check all correct parts are included and undamaged **!** Only use fixings supplied



Kerb	Fixing Quantities
Length of Nominal Unit Side (mm)	Number of fixings per side
750 and under	2
751 to 1200	3
1201 to 1650	4
1651 to 1950	5
1951 to 2250	6
2251 to 3000	7

**!** All Health & Safety Regulations must be followed on site throughout the installation process

**!** **WARNING!** Flat glass units are heavy. Some units may require a mechanical lift.

**1** Mastic/Silicone around the edge of the roof opening

Glass Unit	Fixing Quantities
Length of Nominal Unit Side (mm)	Number of fixings per side
899 and under	2
900 to 1500	3
1501 to 2000	5
2001 to 2500	7
2501 to 3000	9
3001 to 3600	11

**2** Place kerb squarely over roof opening

**3** Fix kerb to roof using 55mm kerb fasteners  
**Remove and retain label**

**!** See fixing quantities table  
**!** Do not overtighten fasteners

**4** Install roof covering according to manufacturer's installation recommendations

If required, lightly torch roof covering.

**!** NEVER apply direct heat or naked flame to the rooflight  
**!** Fit using instructions on kerb label

**5** Terminate roof covering in accordance with instructions on retained kerb label

**6** Place glass unit squarely onto upstand/kerb  
**!** Ensure equal overhang on all sides

**7** Place plastic packers to fill the gap between the frame and the upstand/kerb at screw holes

**8** Screw in supplied unit fasteners through the snapcap washers and plastic packers

**9** Fit snapcaps over the head of each fastener

**!** **TECHNICAL SUPPORT:** For any technical information/queries please contact your supplier. The manufacturer operates a policy of continuous product improvement, and reserves the right to alter specifications at any time without notice. Every effort has been taken to ensure all details contained in this document are correct at the time of going to press but this document should be used only as a guide and does not in any way form part of a contract or warranty. It is the customer's responsibility to ensure that the product is suitable for the actual conditions of use, which are beyond the control of the manufacturer.