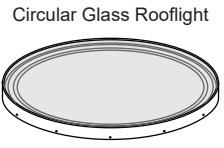
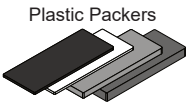
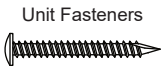

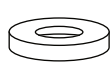
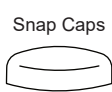


Circular Glass

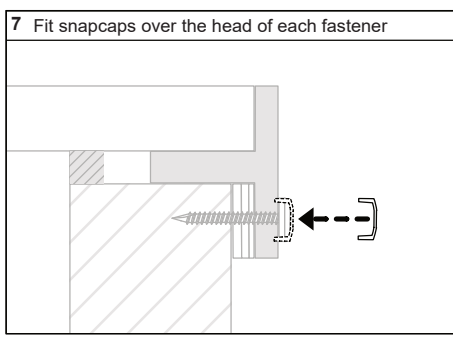
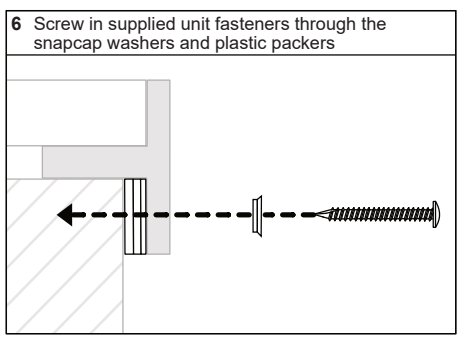
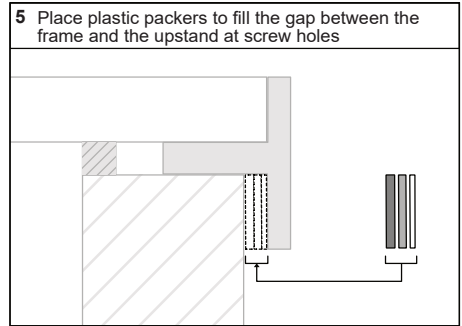
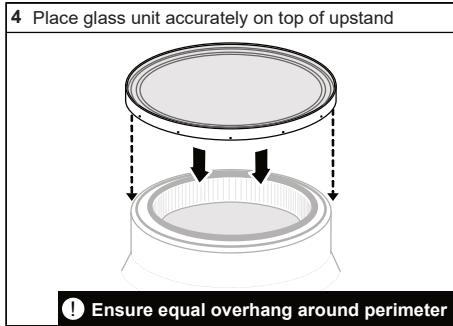
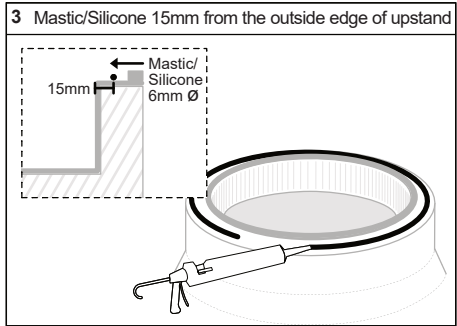
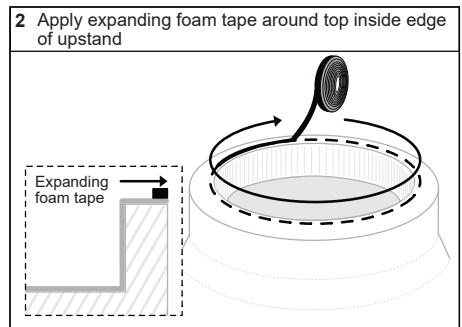
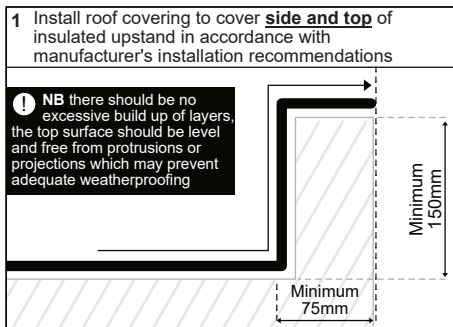
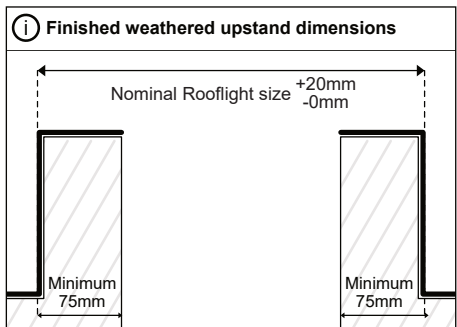
TB425

Circular Glass Rooflight on builders upstand

Contents	! Take care when unpacking	Check all correct parts are included and undamaged	Only use fixings supplied	Fixing Quantities																
				<table border="1"> <thead> <tr> <th>Nominal diameter of Rooflight (mm)</th> <th>Number of fixings required</th> </tr> </thead> <tbody> <tr><td>600</td><td>6</td></tr> <tr><td>750</td><td>7</td></tr> <tr><td>900</td><td>9</td></tr> <tr><td>1050</td><td>10</td></tr> <tr><td>1200</td><td>12</td></tr> <tr><td>1350</td><td>13</td></tr> <tr><td>1500</td><td>14</td></tr> </tbody> </table>	Nominal diameter of Rooflight (mm)	Number of fixings required	600	6	750	7	900	9	1050	10	1200	12	1350	13	1500	14
Nominal diameter of Rooflight (mm)	Number of fixings required																			
600	6																			
750	7																			
900	9																			
1050	10																			
1200	12																			
1350	13																			
1500	14																			
																				
																				

! All Health & Safety Regulations must be followed on site throughout the installation process

! WARNING! Flat glass units are heavy. Some units may require a mechanical lift.



! TECHNICAL SUPPORT: For any technical information/queries please contact your supplier.

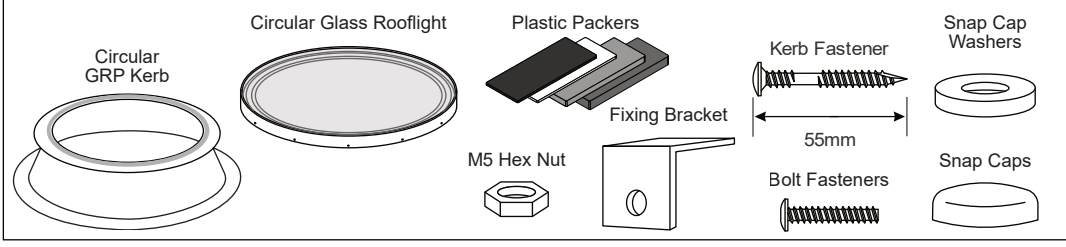
The manufacturer operates a policy of continuous product improvement, and reserves the right to alter specifications at any time without notice. Every effort has been taken to ensure all details contained in this document are correct at the time of going to press but this document should be used only as a guide and does not in any way form part of a contract or warranty. It is the customer's responsibility to ensure that the product is suitable for the actual conditions of use, which are beyond the control of the manufacturer.

Circular Glass

TB425

Circular Glass Rooflight on GRP kerb

Contents **!** Take care when unpacking **!** Check all correct parts are included and undamaged **!** Only use fixings supplied



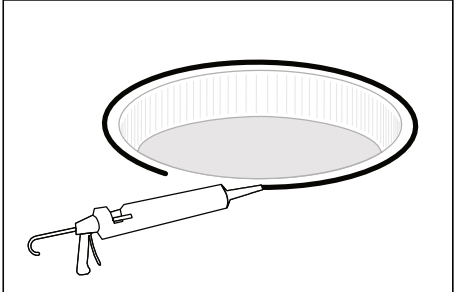
Kerb Fixing Quantities	
Nominal diameter of Rooflight (mm)	Number of fixings (minimum)
600	6
750	8
900	9
1050	10
1200	12
1350	14
1500	15

Equal spacing between fixings (approximately 300mm)

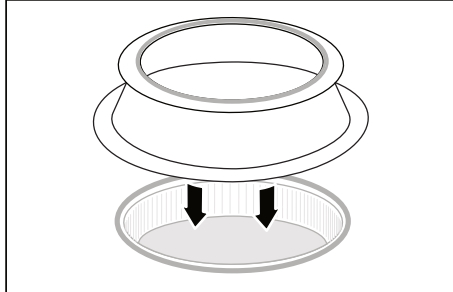
! All Health & Safety Regulations must be followed on site throughout the installation process

! **WARNING!** Flat glass units are heavy. Some units may require a mechanical lift.

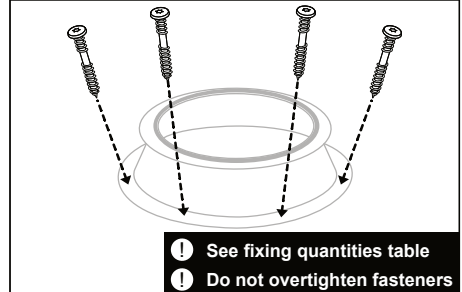
1 Mastic/Silicone around the edge of the roof opening



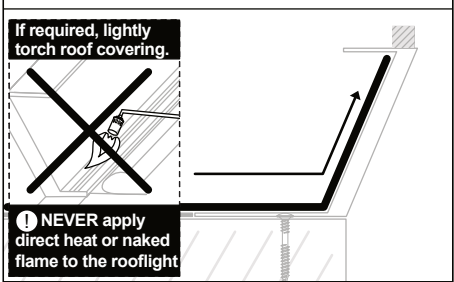
2 Place kerb accurately over roof opening



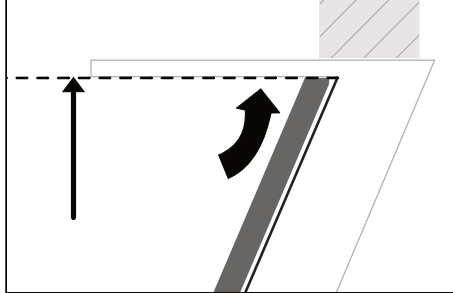
3 Fit kerb to roof using 55mm kerb fasteners



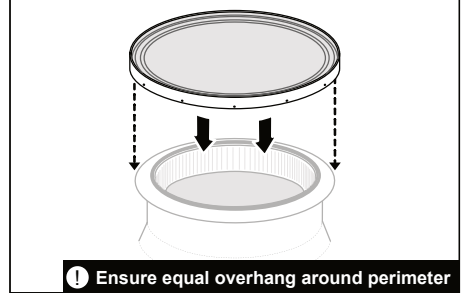
4 Install roof covering to cover kerb and in accordance with manufacturers installation recommendations



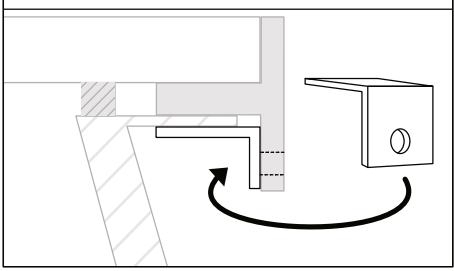
5 Terminate roof covering at underside of kerb top



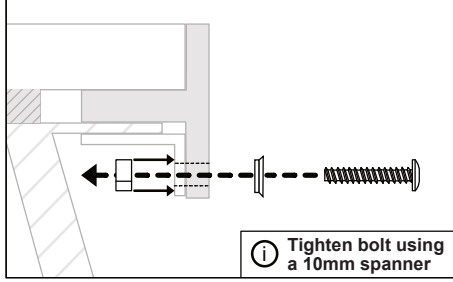
6 Place glass unit squarely on top of secured kerb



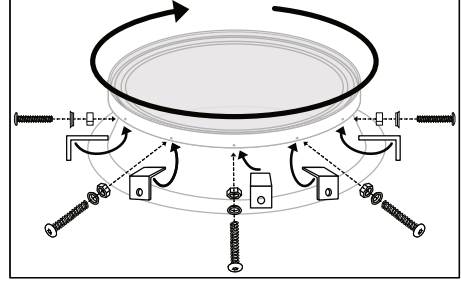
7 Place fixing bracket underneath kerb and rooflight at screw holes, facing the hole against the aluminium frame



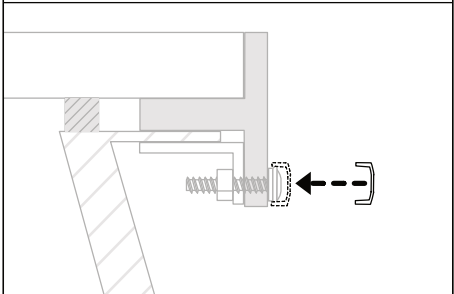
8 Screw in supplied bolt fasteners through the snapcap washers, fixing bracket and M5 hex nut



9 Complete fixing glass unit to kerb repeating previous two steps



10 Fit snapcaps over the head of each fastener



! **TECHNICAL SUPPORT:** For any technical information/queries please contact your supplier.

The manufacturer operates a policy of continuous product improvement, and reserves the right to alter specifications at any time without notice. Every effort has been taken to ensure all details contained in this document are correct at the time of going to press but this document should be used only as a guide and does not in any way form part of a contract or warranty. It is the customer's responsibility to ensure that the product is suitable for the actual conditions of use, which are beyond the control of the manufacturer.